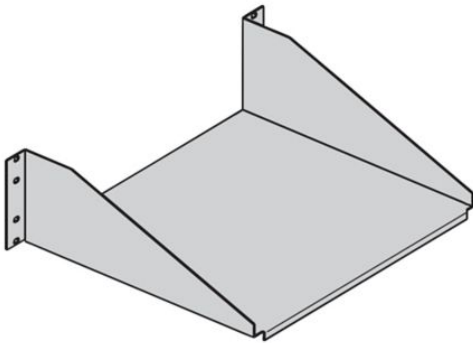


# Eaton SB747S1915STG

Catalog Number: SB747S1915STG

Eaton B-Line series open frame racks, Steel, #12-24 mounting hardware included, 100 lb load capacity, Three (3) mounting spaces required, Telco gray powder coat, Single sided rack mounted shelf solid shelf

## General specifications



Product Name	Catalog Number
Eaton B-Line series open frame racks	SB747S1915STG
UPC	Product Length/Depth
799038361350	15 in
Product Height	Product Width
5.19 in	18.31 in
Product Weight	Certifications
11 lb	Not Applicable

## Product specifications

### Special features

Three (3) mounting spaces required

### Model

Single sided rack mounted shelf solid shelf

### Material

Steel

### Finish

Telco gray powder coat

## Resources

### Brochures

[RCM and RCM+ brochure](#)

### Specifications and datasheets

[Eaton Specification Sheet - SB747S1915STG](#)



Eaton Corporation plc  
Eaton House  
30 Pembroke Road  
Dublin 4, Ireland  
Eaton.com  
© 2023 Eaton. All Rights Reserved.

Eaton is a registered trademark.

All other trademarks are property of their respective owners.



[Eaton.com/socialmedia](https://www.eaton.com/socialmedia)